

# Ball Valve KH 01/6 Series

**DUNGS**<sup>®</sup>  
Combustion Controls



## UL Listed

- For sizes 1/4" to 2"
- UL 125 (125 PSI)
- UL Subject 258 (125 PSI)
- UL file # MH 18741

## CSA Certified

- For sizes 1/4" to 2"
- ANSI Z21.15/CSA 9.1  
Class 3371-08 and Class 3371-88  
0.5 PSI
- ANSI B16.33  
Class 3371-14 and 3371-94  
125 PSI
- CSA 3.16  
Class 3371-10  
125 PSI
- CSA 3-88 and CGA CR91-002  
125 PSI
- ASME 16.44  
Class 3371-92  
5 PSI
- CSA file # 209183

## FM Approved

- For sizes 1/4" to 2"
- Water service
- FM file # 1B7A5.AH

## Commonwealth of Massachusetts Approved Product

- Approval code G1-1107-35
- Ball valve

## Codes and Standards

This product is recommended for installations covered by but not limited to NFPA 37, NFPA 85, NFPA 86, UL 795, CSD-1, ANSI Z83.4, ANSI Z83.18, ANSI Z21.13, and CSA B149.3.

**DUNGS is an ISO 9001  
manufacturing facility.**



## Applications

Manually operated ball valves for gas piping carrying natural gas, propane, butane, air and inert gases.

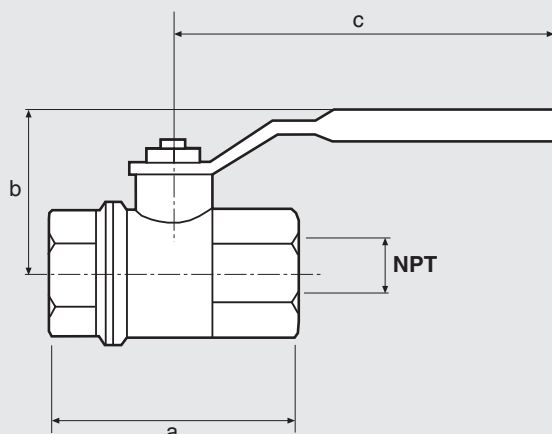
## Technical specifications

Full port  
Sizes: 1/4" to 3"  
Threads: NPT  
Operating pressure: 125 PSI max. for natural gas, LP gas, and butane gas.  
Temperature range: -40 °F to +300 °F (-40 °C to +150 °C)  
Body: Forged Brass  
Seal: PTFE O-rings: Viton  
Handle: Nickel-steel with plastic cover  
Ball: Chrome plated

**Ball Valve  
KH 01/6 Series**



Dimensions inch (mm)



Type	Order No.	Pressure <sub>max.</sub> [PSI]	Size	Dimensions [inch]			Weight [lbs] [kg]
				Dimensions [mm]			
				a	b	c	
KH 01/6-02	268443	125	Female / Female NPT 1/4"	<b>1.97</b> 50	<b>1.51</b> 38	<b>3.23</b> 82	<b>0.37</b> 0,17
KH 01/6-03	268444	125	Female / Female NPT 3/8"	<b>1.97</b> 50	<b>1.51</b> 38	<b>3.23</b> 82	<b>0.37</b> 0,17
KH 01/6-05	268445	125	Female / Female NPT 1/2"	<b>2.44</b> 59	<b>1.73</b> 43	<b>3.23</b> 82	<b>0.37</b> 0,17
KH 01/6-07	268446	125	Female / Female NPT 3/4"	<b>2.8</b> 64	<b>1.87</b> 50	<b>3.23</b> 82	<b>0.55</b> 0,25
KH 01/6-10	268447	125	Female / Female NPT 1"	<b>3.27</b> 81	<b>2.46</b> 54	<b>4.33</b> 120	<b>0.99</b> 0,45
KH 01/6-12	268449	125	Female / Female NPT 1 1/4"	<b>3.86</b> 93	<b>2.7</b> 76,5	<b>4.33</b> 120	<b>1.59</b> 0,72
KH 01/6-15	268451	125	Female / Female NPT 1 1/2"	<b>4.33</b> 102	<b>3.4</b> 82,5	<b>5.31</b> 158	<b>3.31</b> 1,5
KH 01/6-20	268452	125	Female / Female NPT 2"	<b>5.24</b> 121	<b>3.71</b> 89,5	<b>5.31</b> 158	<b>5.67</b> 2,57
KH 01/6-25*	268453	125	Female / Female NPT 2 1/2"	<b>5.67</b> 144	<b>4.76</b> 120	<b>9.69</b> 246	<b>8.95</b> 4,05
KH 01/6-30*	268454	125	Female / Female NPT 3"	<b>6.5</b> 165	<b>5.16</b> 131	<b>9.69</b> 246	<b>12.80</b> 5,8

\*UL, CSA and FM approvals do not apply to this ball valve.

**Karl Dungs, Inc.**  
**3890 Pheasant Ridge Drive NE**  
**Suite 150**  
**Blaine, MN 55449, U.S.A.**  
**Phone 763 582-1700**  
**Fax 763 582-1799**  
**e-mail info@karldungsusa.com**  
**Internet http://www.dungs.com/usa/**

**Karl Dungs GmbH & Co. KG**  
**P.O. Box 12 29**  
**D-73602 Schorndorf, Germany**  
**Phone +49 (0)7181-804-0**  
**Fax +49 (0)7181-804-166**  
**e-mail info@dungs.com**  
**Internet http://www.dungs.com**